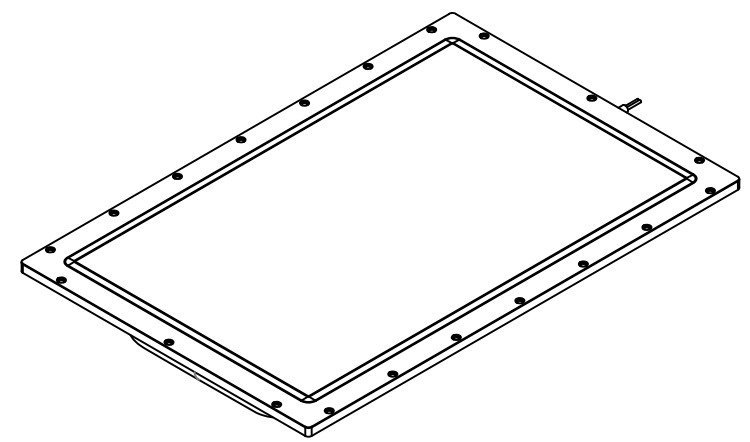
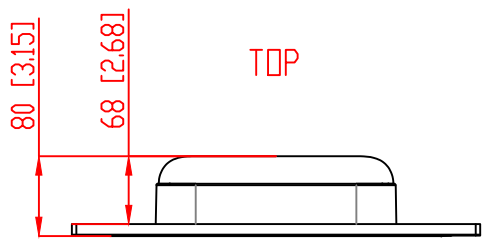


ISOMETRIC



SCALE: 1 : 2	DRAWN BY:	IS8	REV.
SHEET: 01	RELEASED IN:	DRWN - PART NUMBER	